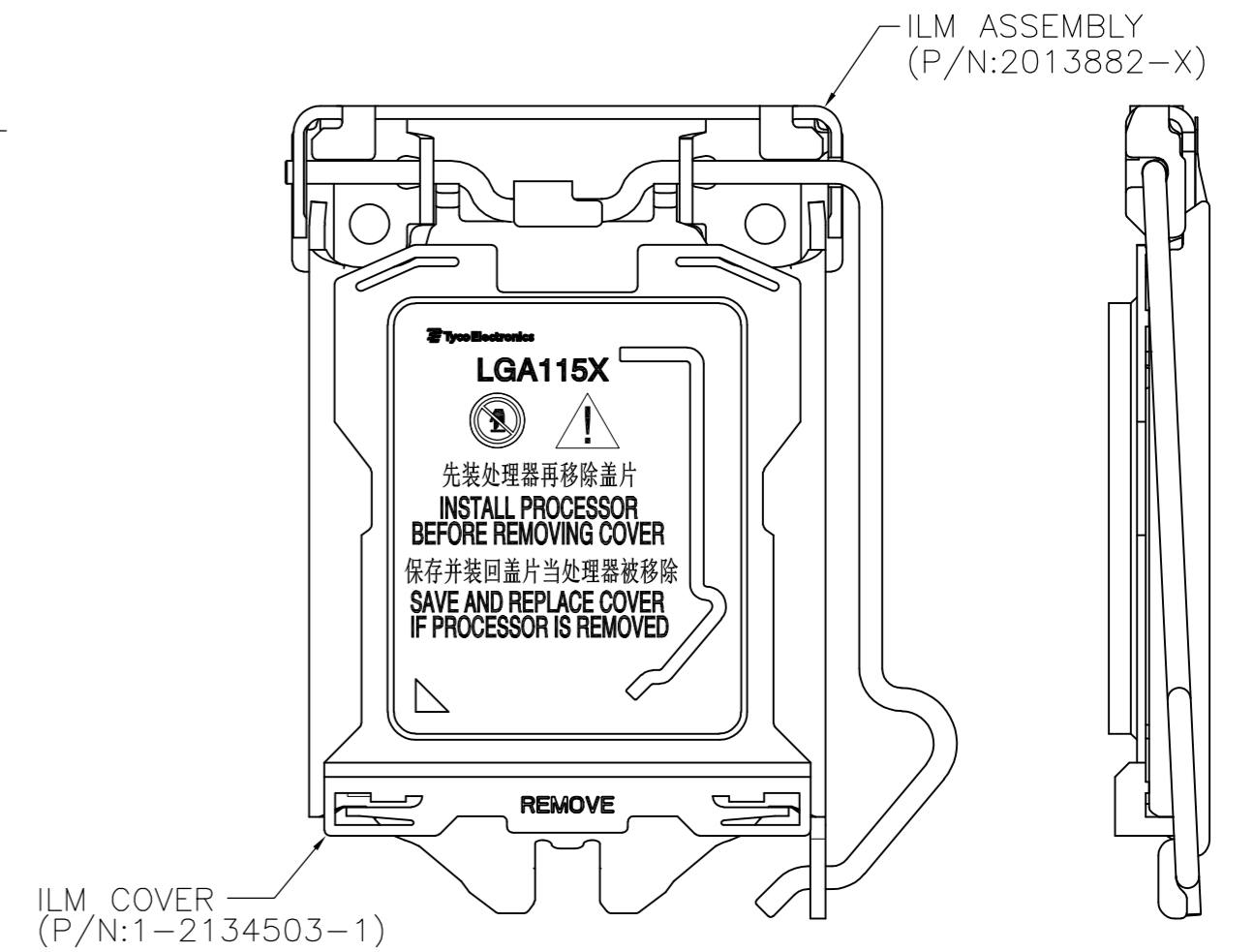
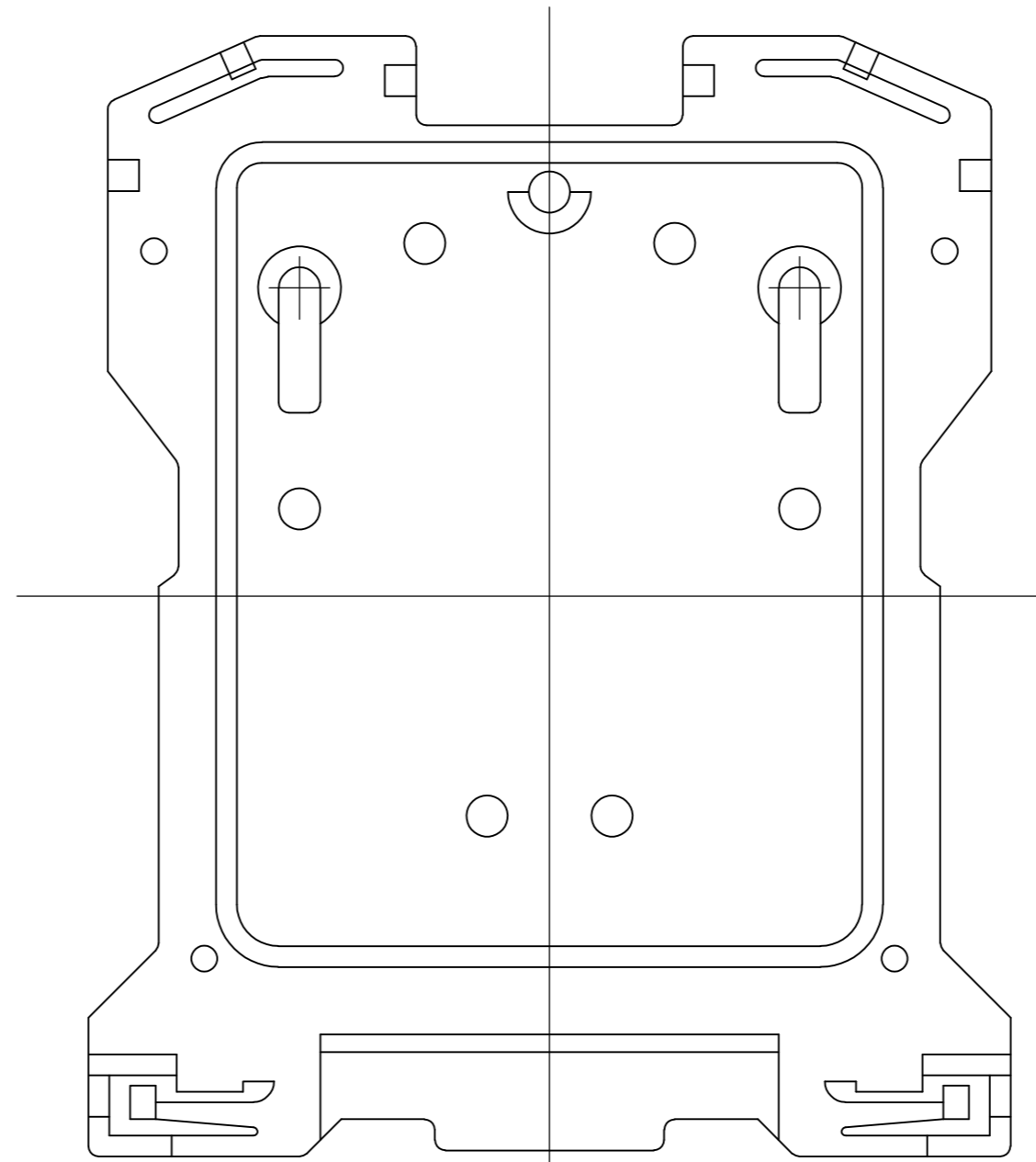
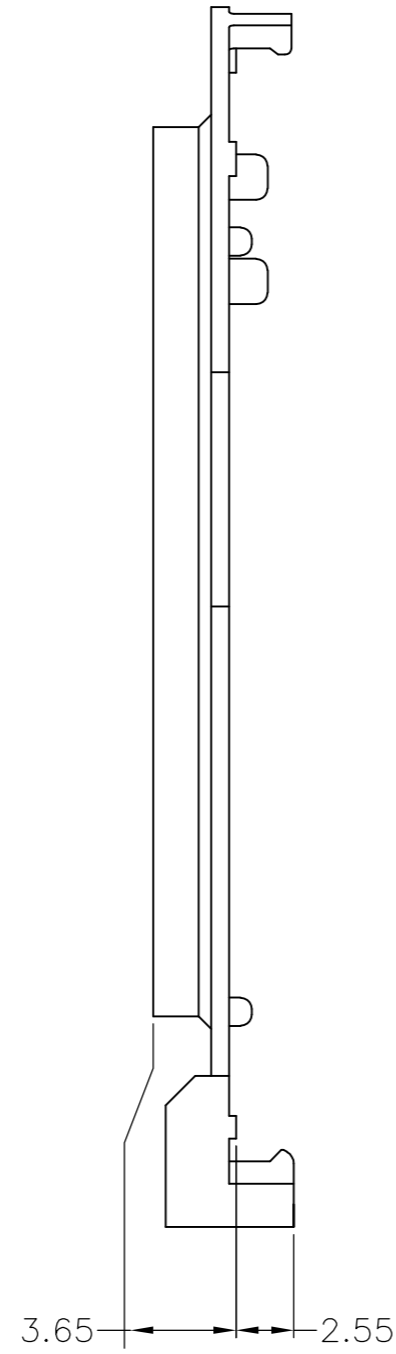
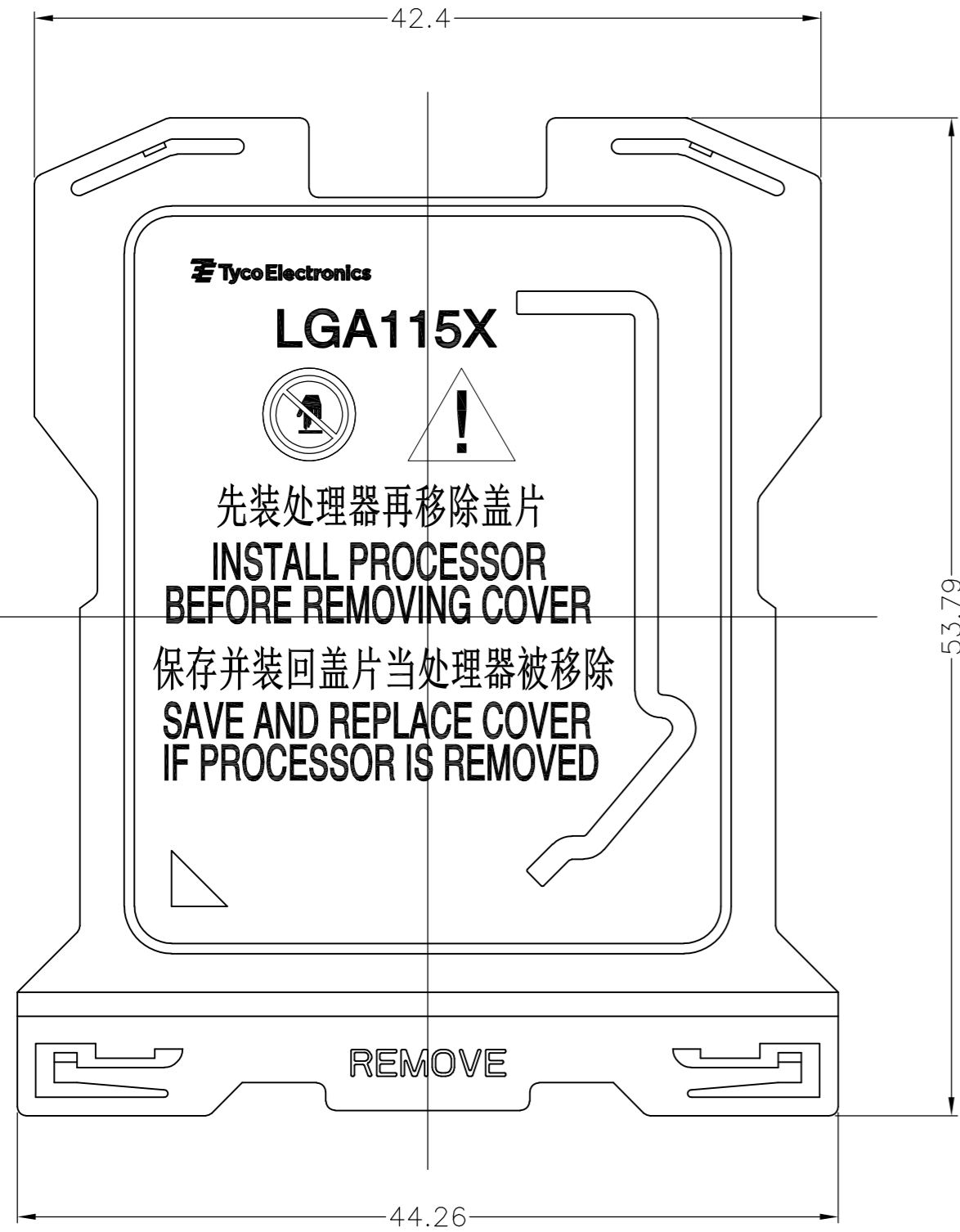
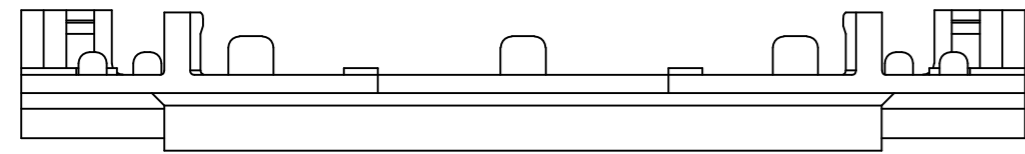


THIS DRAWING IS UNPUBLISHED. RELEASED FOR PUBLICATION
 © COPYRIGHT - By Tyco Electronics Japan G.K. ALL RIGHTS RESERVED.

LOC	DIST	REVISIONS				
		P	LTR	DESCRIPTION	DATE	DWN
J	-	C1	REVISED	10MAR2016	J.W	S.L

NOTES

1. MATERIAL : THERMO-PLASTIC, UL94 V-2, BLACK
2. THIS PRODUCT IS APPLICABLE FOR ILM ASSEMBLY OF LGA115X
REFERENCE P/N: 2013882-X



REFERENCE
 ILM ASSEMBLY WITH COVER

P/N: 1-2134503-1 AS SHOWN

THIS DRAWING IS A CONTROLLED DOCUMENT.		DWN T.TOKUNAGA 18NOV2010			NAME ILM COVER LGA115X	
DIMENSIONS: 单位: 毫米 mm		CHK H.TAGUCHI 18NOV2010			SIZE A2	CAGE CODE 00779
TOLERANCES UNLESS OTHERWISE SPECIFIED: 一般公差		APVD T.NAKASHIMA 18NOV2010	APPLICATION SPEC 取付適用規格		SCALE NTS	
0 PLC ± 0.3 1 PLC ± 0.3 2 PLC ± 0.3 3 PLC ± 0.3 4 PLC ± 0.3 ANGLES ± 3°		MATERIAL 材料	WEIGHT 2.7 g	SHEET 1 OF 1	REV C1	
		CUSTOMER DRAWING				