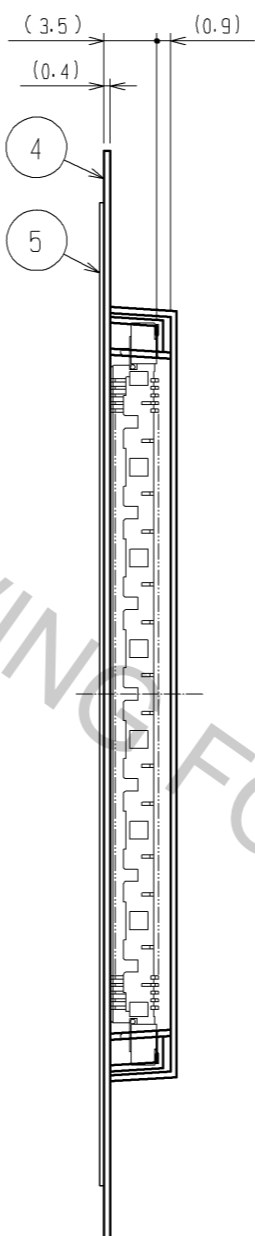
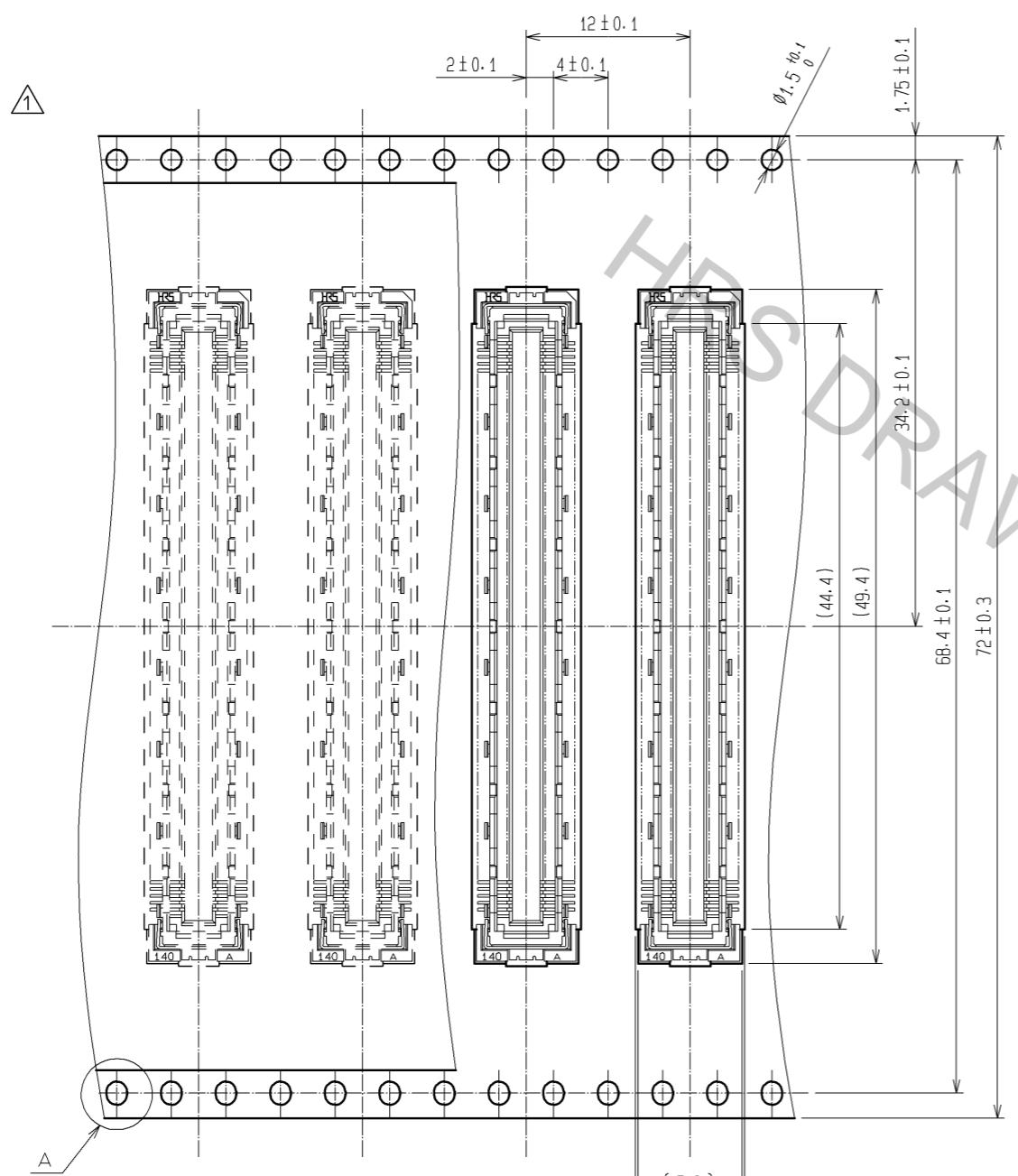


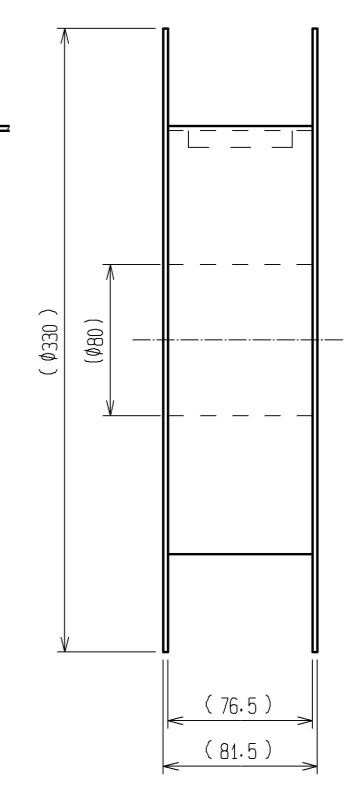
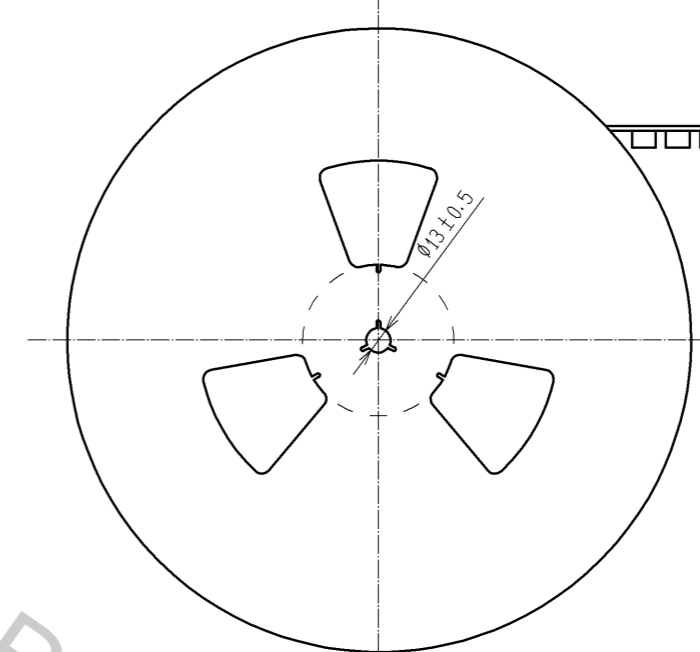
- NOTES
- SMT LEAD-COPLANARITY: 0.1 MAX.
 - THIS PRODUCT HAS NO POLARITY TO PATTERN FOR MOUNTING.
 - THE DIMENSIONS IN PARENTHESES ARE FOR REFERENCE.
 - STACKING HEIGHT FROM LEAD TO LEAD(REFERENCE DIMENSIONS)
 - BOARD DISTANCE
 - AREA IS VACUUM PICKUP AREA FOR REFERENCE.
 - EMBOSS CARRIER TAPE PACKAGE IS APPLIED ON THIS PRODUCT. PLEASE REFER TO THE SHEET 2/2 FOR THE RETAILS.

2	PHOSPHOR BRONZE	CONTACT AREA:GOLD 0.76µm min.	5	PET	TOP COVER TAPE
		LEAD AREA:GOLD 0.03µm min.	4	PS	EMBOSSED CARRIER TAPE
		UNDER PLATING:NICKEL 1.3µm min.	3	PHOSPHOR BRONZE	SURFACE AREA:GOLD 0.03µm min. UNDER PLATING:NICKEL 1.3µm min.
1	LCP	BEIGE UL94V-0			
NO.	MATERIAL	FINISH . REMARKS	NO.	MATERIAL	FINISH . REMARKS
UNITS mm		SCALE 4 : 1	COUNT 2	DESCRIPTION OF REVISIONS DIS-F-006595	
DESIGNED Y.J. ASAO		CHECKED HT. YAMAGUCHI		DATE 13.01.10	
APPROVED : HS. OKAWA 11.11.02		DRAWING NO. EDC3-151991-24			
DESIGNED : TS. OONO 11.11.02		PART NO. FX10B-168S-SV(84)			
DRAWN : TS. OONO 11.11.02		CODE NO. CL570-0254-0-84			

DRAWING FOR PACKING(2:1)

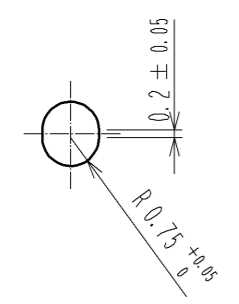


REELED DIMENSION(No scale)



THE DIRECTION OF PULLING OUT

A(5:1)



- NOTES
- 1 1REEL : 500 CONNECTORS.
 - 2 MINIMUM 10 COMPARTMENTS FROM BOTH REEL ENDS REMAIN EMPTY.
 - 3 THIS PRODUCT HAS NO POLARITY TO TAPE AND REEL PACKAGING.
 - 4 THE DIMENSIONS IN PARENTHESES ARE FOR REFERENCE.

HRS	DRAWING NO.	EDC3-151991-24	2/2
	PART NO.	FX10B-168S-SV(84)	
	CODE NO.	CL570-0254-0-84	