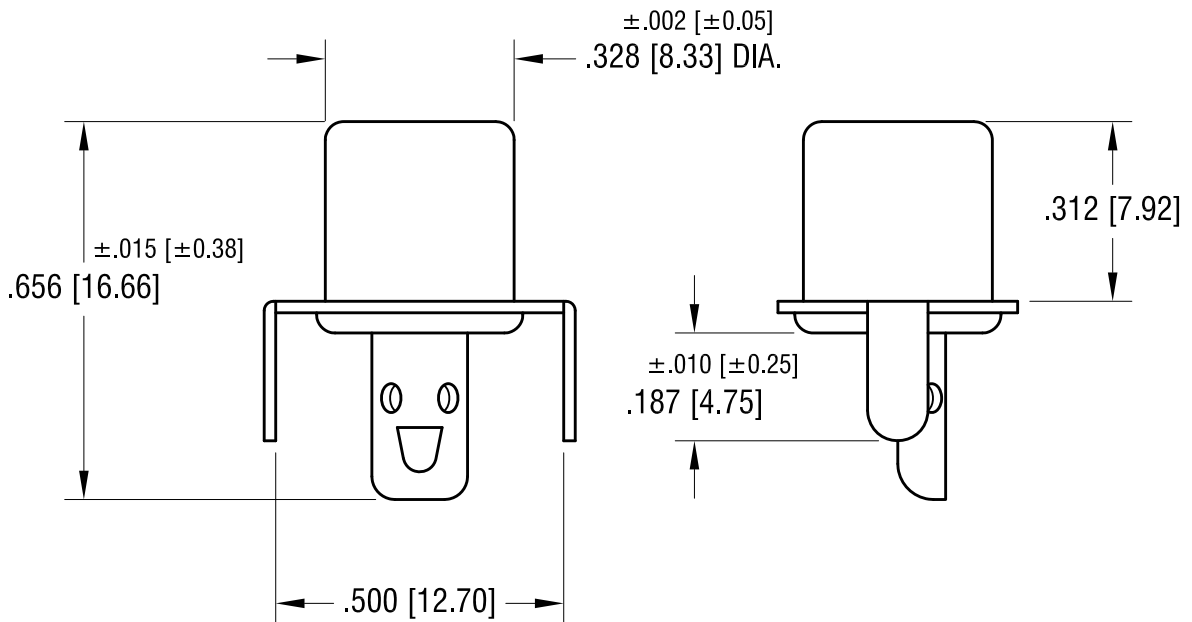
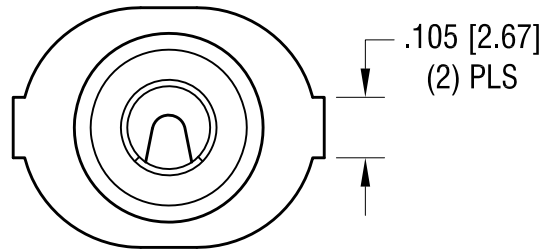
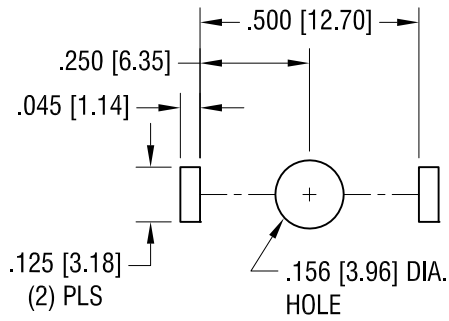


THIS DOCUMENT IS THE PROPERTY OF  
KEYSTONE ELECTRONICS CORP. AND  
SHALL NOT BE REPRODUCED, DISTRIBUTED  
OR USED AS A BASIS FOR MANUFACTURE  
WITHOUT PRIOR WRITTEN PERMISSION  
FROM KEYSTONE ELECTRONICS CORP.

**MOUNTING DETAIL**



**NOTES:**

- 1. SHELL: MAT'L - STEEL
- CONTACT: MAT'L - BRASS

**KEYSTONE ELECTRONICS CORP.**

www.keyelco.com • ASTORIA, N.Y. 11105-2017 • Tel (718) 956-8900

PART NAME				VERTICAL PC PHONO JACK			
MATERIAL				AS NOTED			
FINISH		DRN BY		DATE			
TIN PLATE		BOONE		7.19.05			
		APP'D		SCALE			
		LN		3X			
TOLERANCES		INCH		[MM]		CODE	
DECIMAL		± .005		[± 0.13]		C	
ANGULAR		± 1°		UNLESS OTHERWISE SPECIFIED		DWG NO.	
						573	

DATE	DESCRIPTION	REV.
------	-------------	------